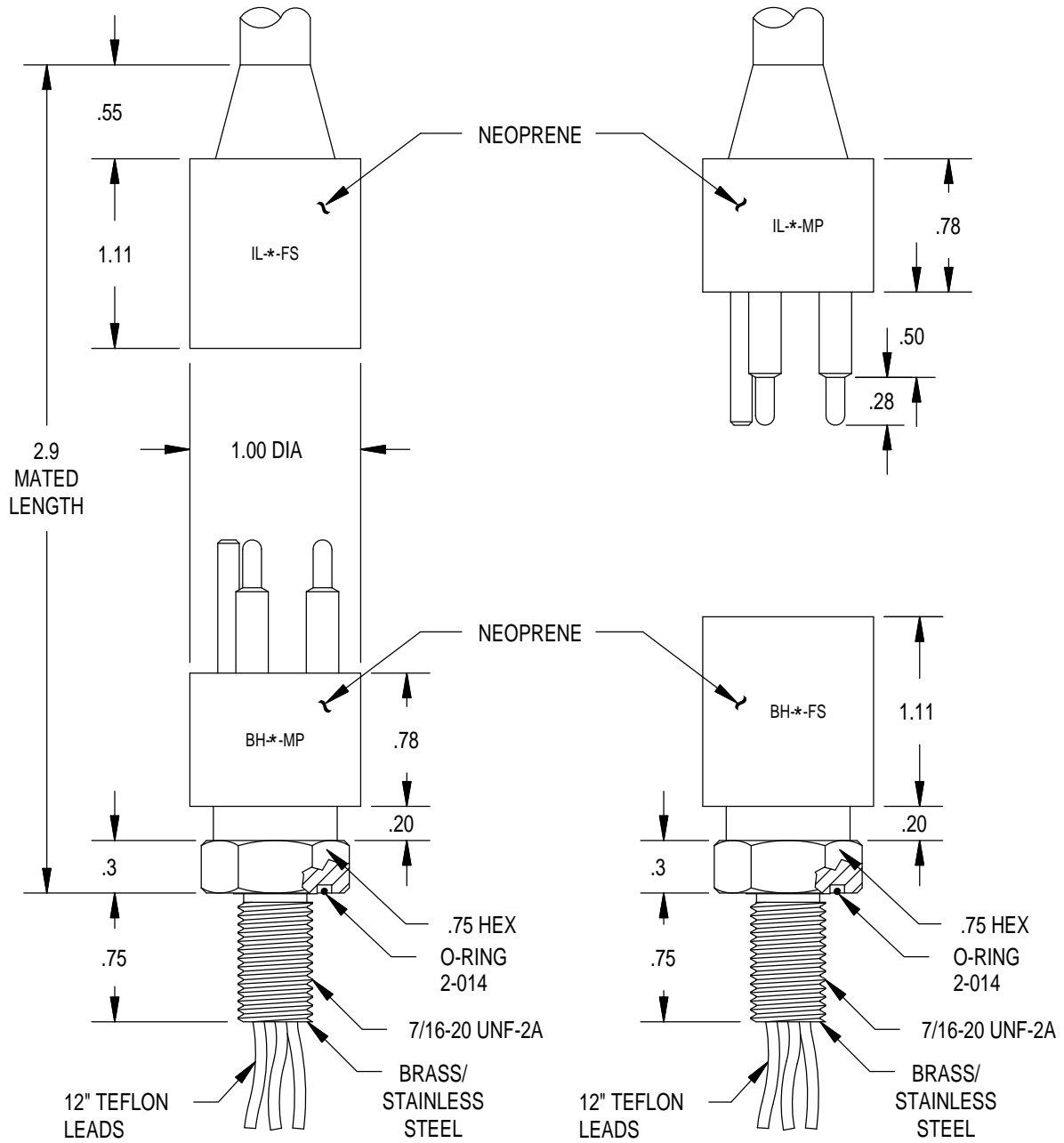
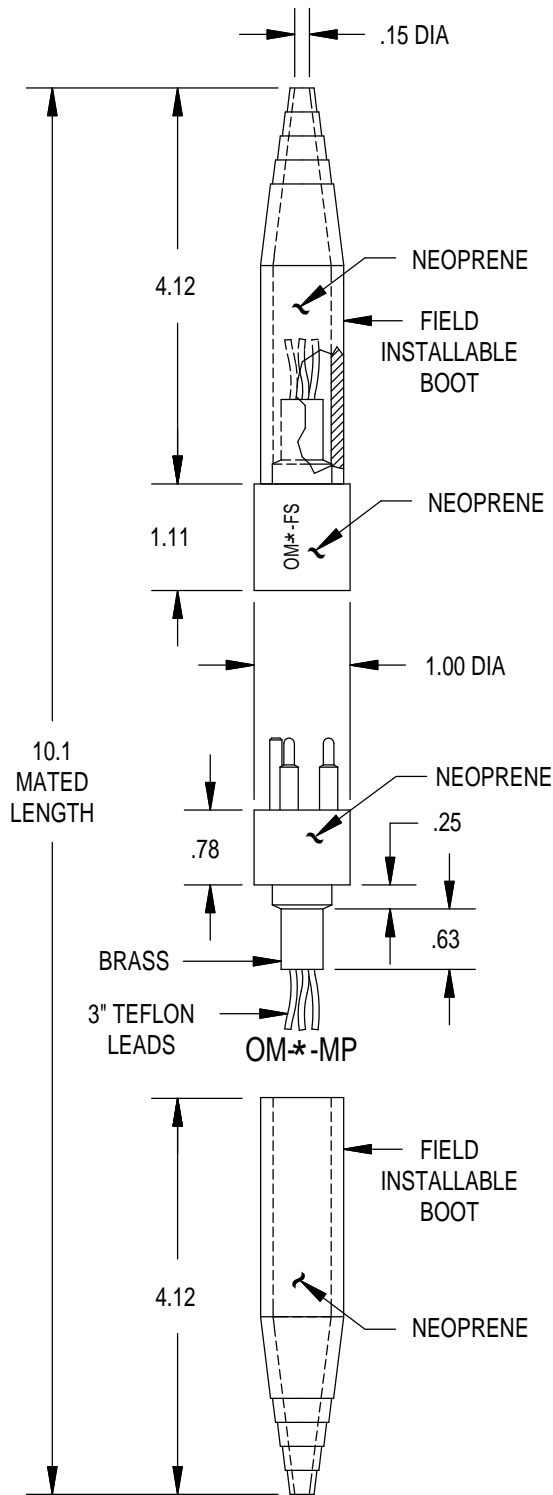


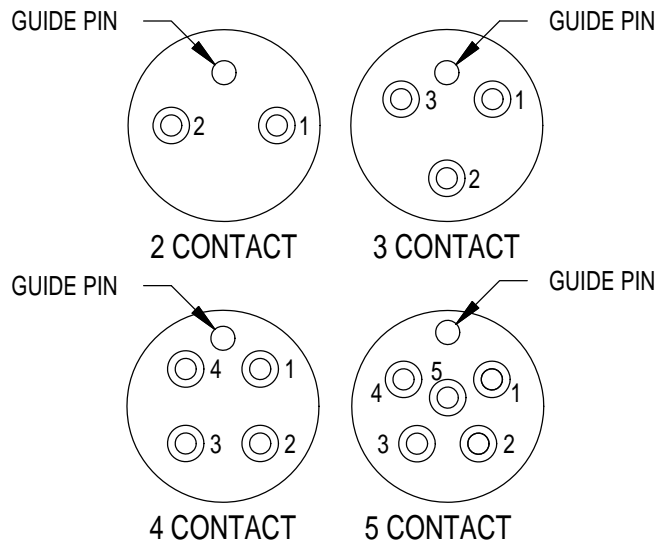
---

DESCRIPTION AND MATERIAL	<ul style="list-style-type: none"><li>• Molded neoprene, some types available in polyurethane.</li><li>• Two to twelve contacts, 12 AWG. (LPIL/LPBH-12 has 16 AWG. contacts.)</li><li>• Up to 750 VDC.</li><li>• Up to 10,000 PSI.</li><li>• Bulkhead connector design open face pressure rated to 5,000 PSI.</li><li>• Contacts gold plated per MIL-G-45204.</li></ul>
CABLE	<ul style="list-style-type: none"><li>• Connectors in this series are molded on a standard 24" length of 16 AWG SO cable. IL-5, IL-12, LPIL-5 are molded on a standard 24" length of 18 AWG SO cable. LPIL-12 is molded on a standard 24" length of 20 AWG cable.</li><li>• Custom lengths and cable types are available on request.</li><li>• Bulkhead connectors have 12" teflon leads, Type E per MIL 16878/4 18 AWG.</li></ul>
USES	<ul style="list-style-type: none"><li>• Light to heavy duty applications.</li><li>• Hazardous environments.</li></ul>
GUIDELINES	<ul style="list-style-type: none"><li>• All mounting surfaces require a 32 finish.</li><li>• Lubricate mating surfaces with 3M Silicone Lubricant or equivalent, DO NOT grease! Connectors must be lubricated on a regular basis.</li><li>• Lubricate o-rings with Dow Corning #111 Valve Lubricant or equivalent.</li><li>• Align index pin prior to mating.</li><li>• Avoid nicks and cuts around contacts as these are the sealing surfaces.</li><li>• Elastomers can be seriously degraded if exposed to direct sunlight or high ozone levels for extended periods of time.</li><li>• Do not over tighten bulkhead nuts.</li><li>• Do not pull on cable to disconnect.</li><li>• Avoid sharp bends at cable entry to connector.</li></ul>
ORDERING INFORMATION	<ul style="list-style-type: none"><li>• Locking sleeves are optional, specify when ordering.</li><li>• Bulkhead connectors do not come with nuts and washers. If required, please specify when ordering.</li><li>• OM connectors do not come with overmolding boots. If required, please specify when ordering.</li></ul>
NOTE	<ul style="list-style-type: none"><li>• For Mini Wet Pluggable see Technical Bulletin page 65 80</li><li>• For Micro Mini Wet Pluggable see Technical Bulletin page 65 109</li></ul>

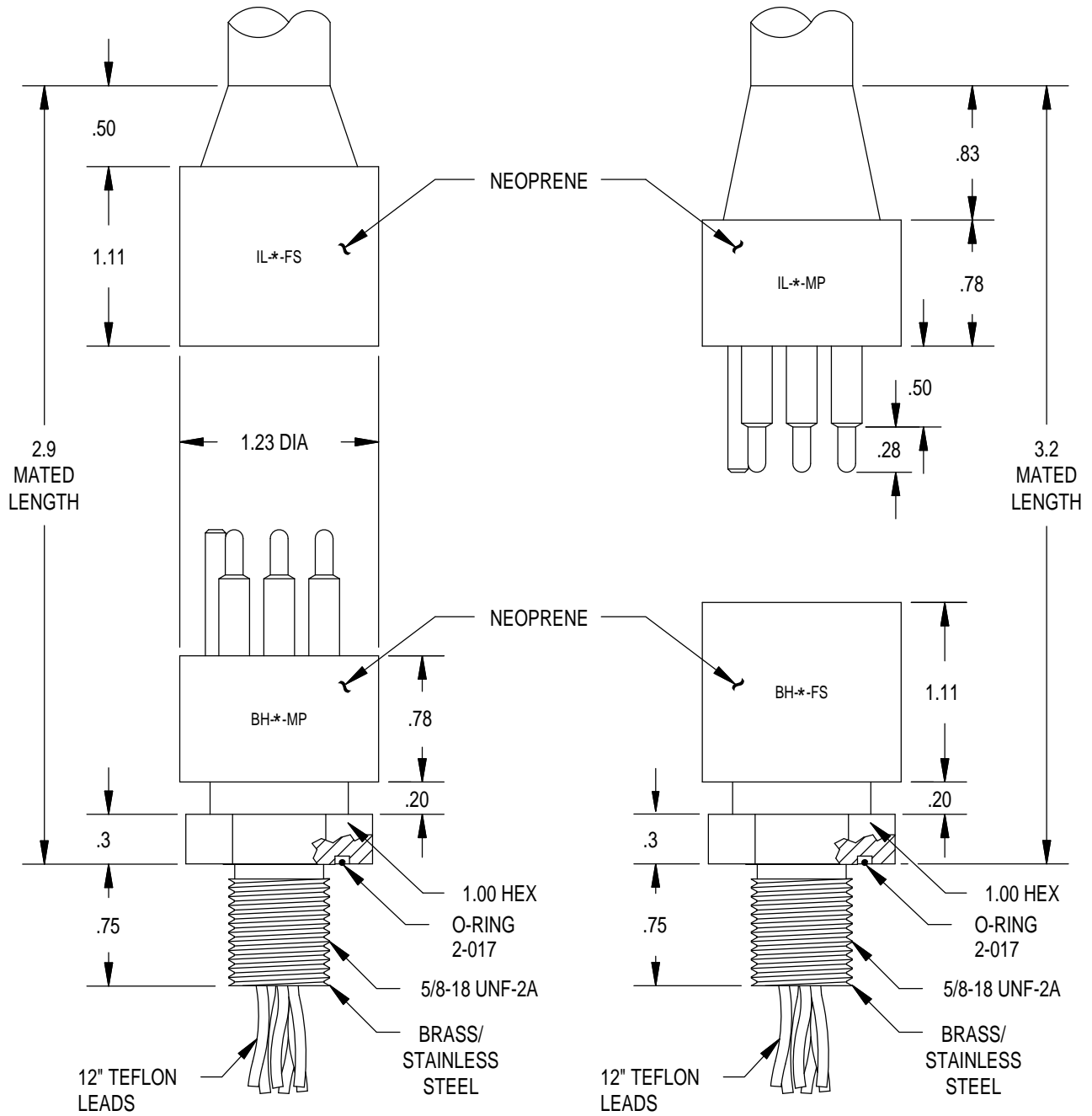


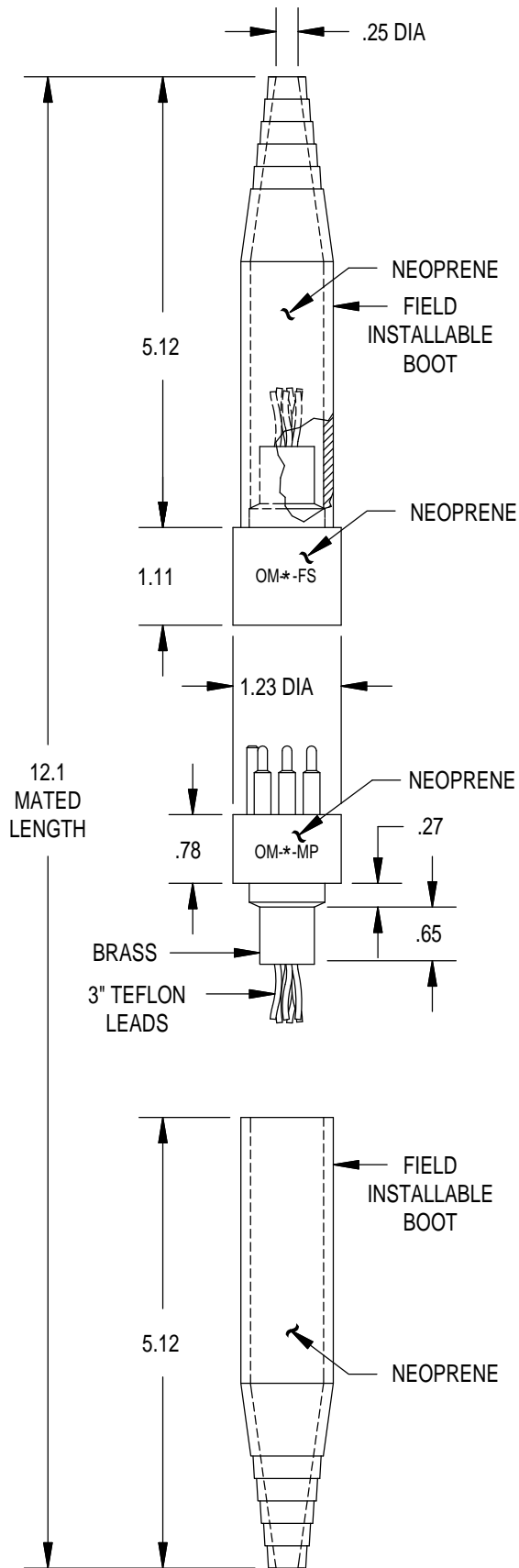


**CONTACT CONFIGURATION**  
(MP FACE VIEWS)

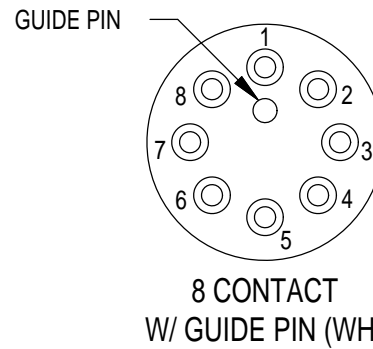
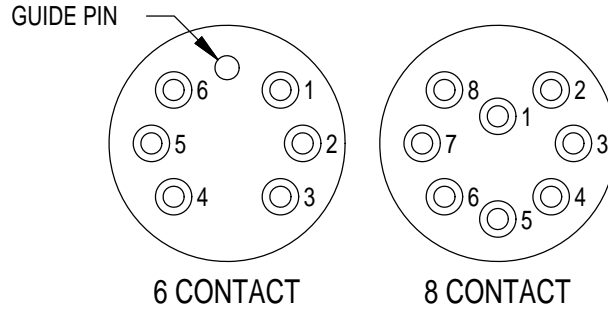


MOUNTING TORQUE FOR BH-FS/MP	not to exceed 100 in lbs
MATED PRESSURE RATING (psi)	10,000
DUMMY PLUG FOR BH-FS, IL-FS, OM-FS	DC*-MP
DUMMY PLUG FOR BH-MP, IL-MP, OM-MP	DC*-FS
NOTE: Delrin locking sleeves available (DLSA-M or F).	
* Specify number of contacts.	
* Dummy Plugs found on page 65 32.	

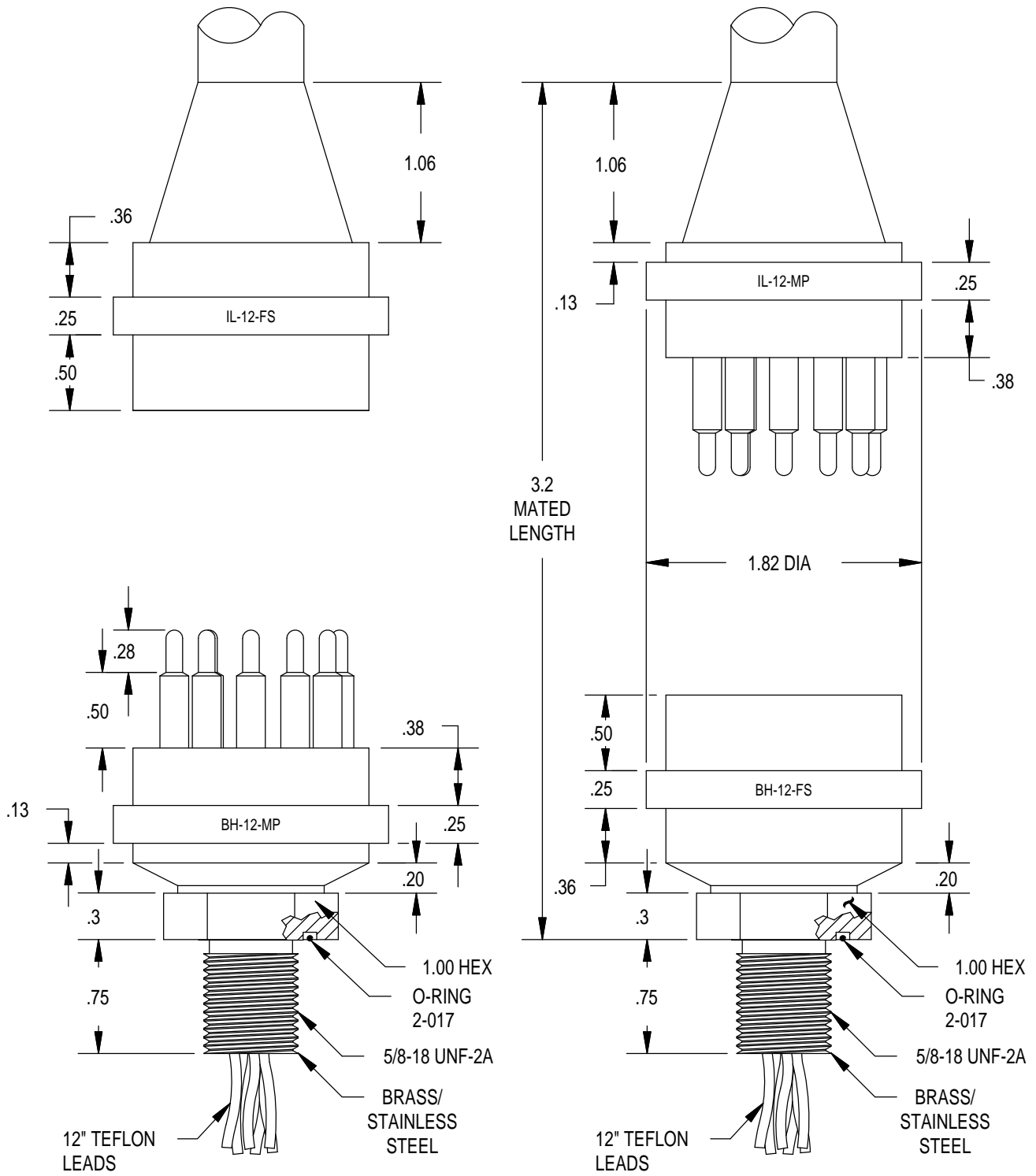


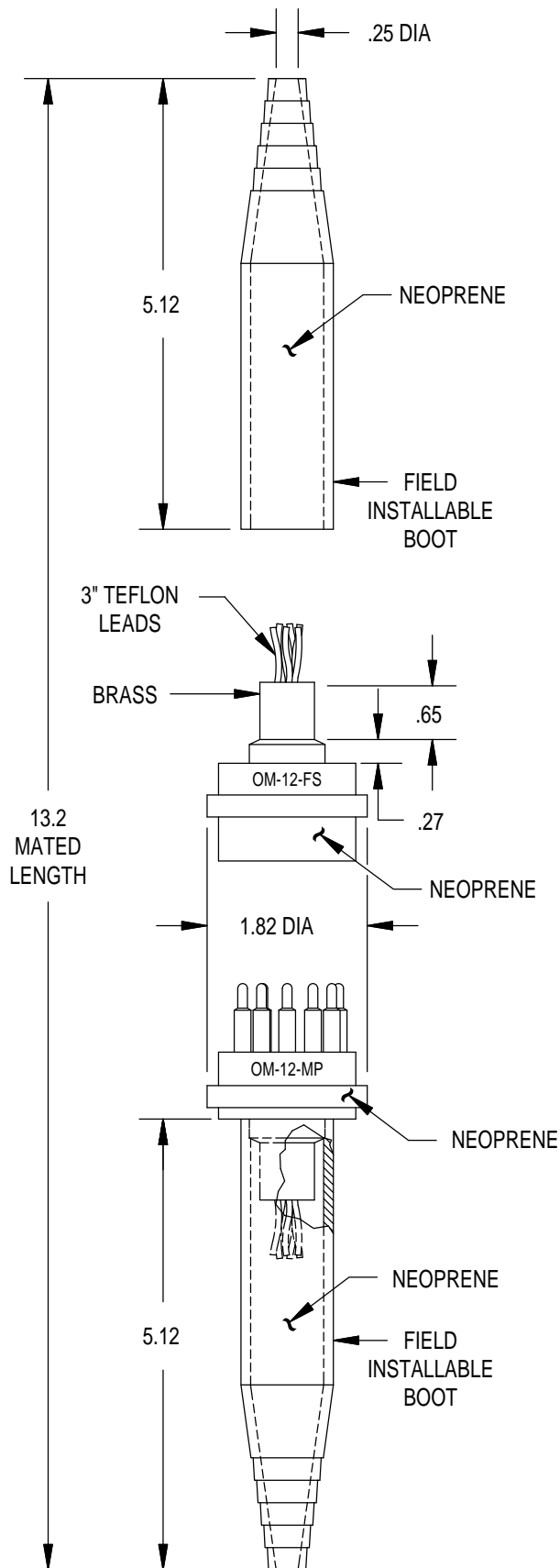


**CONTACT  
CONFIGURATION  
(MP FACE VIEWS)**

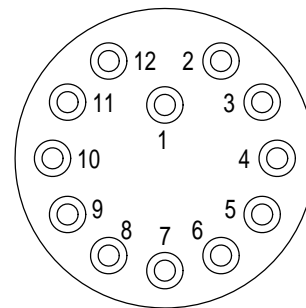


MOUNTING TORQUE FOR BH-FS/MP	not to exceed 100 in lbs
MATED PRESSURE RATING (psi)	10,000
DUMMY PLUG FOR BH-FS, IL-FS, OM-FS	DC*-MP
DUMMY PLUG FOR BH-MP, IL-MP, OM-MP	DC*-FS
NOTE: Delrin locking sleeves available (DLSB-M or F).	
* Specify number of contacts.	
* Dummy Plugs found on page 65 32.	



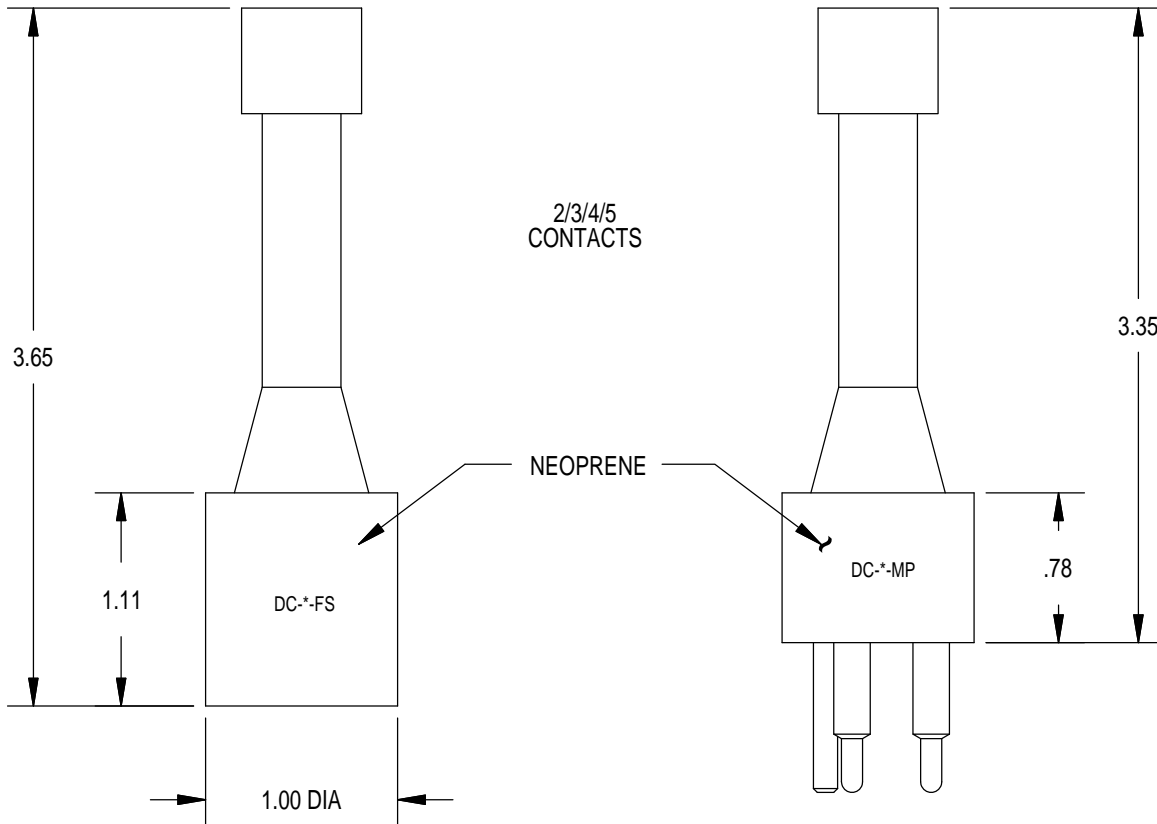


**CONTACT  
CONFIGURATION**  
(MP FACE VIEW)

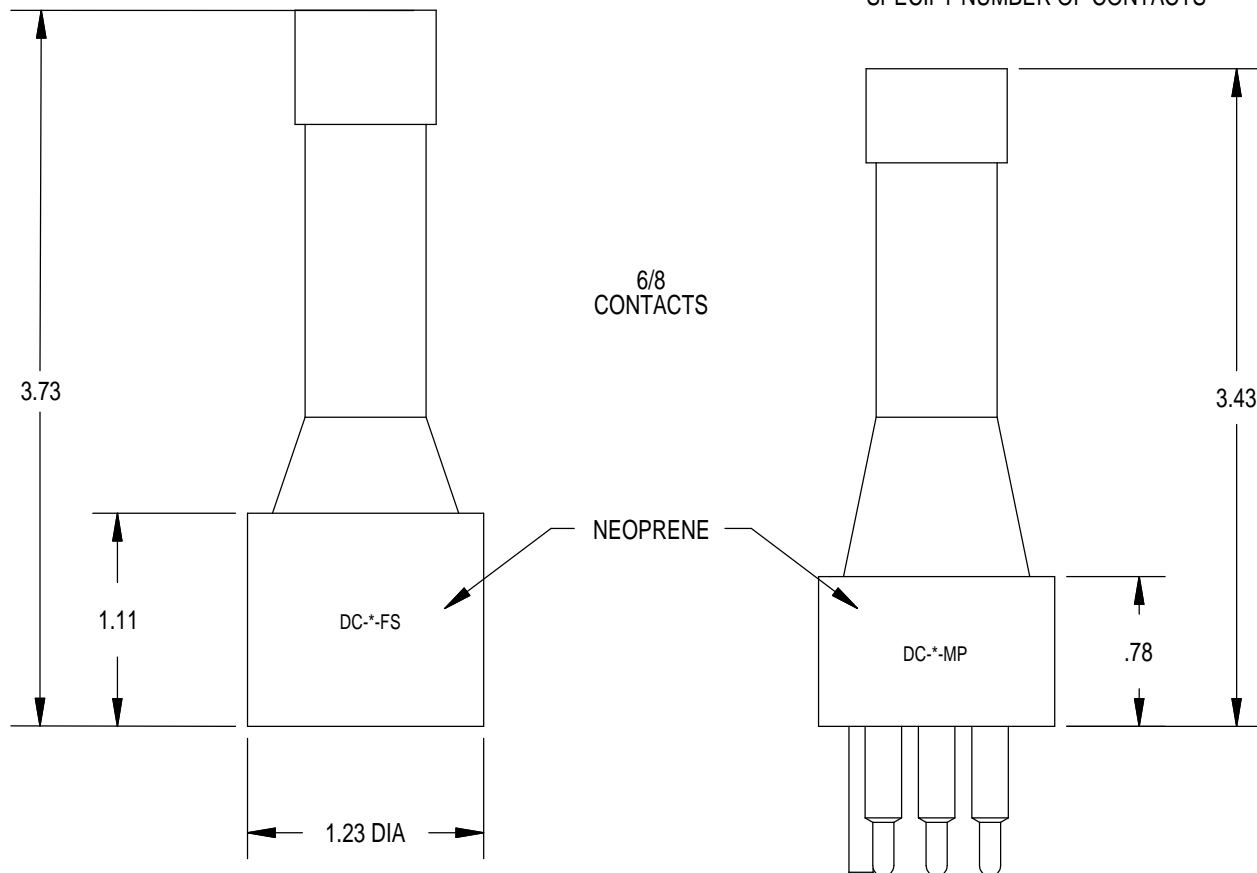


12 CONTACT

MOUNTING TORQUE FOR BH-FS/MP	not to exceed 100 in lbs
MATED PRESSURE RATING (psi)	10,000
DUMMY PLUG FOR BH-FS, IL-FS, OM-FS	DC-12-MP
DUMMY PLUG FOR BH-MP, IL-MP, OM-MP	DC-12-FS
NOTE: Delrin locking sleeve available (DLSC-M or F). * Dummy Plugs found on page 65 33.	



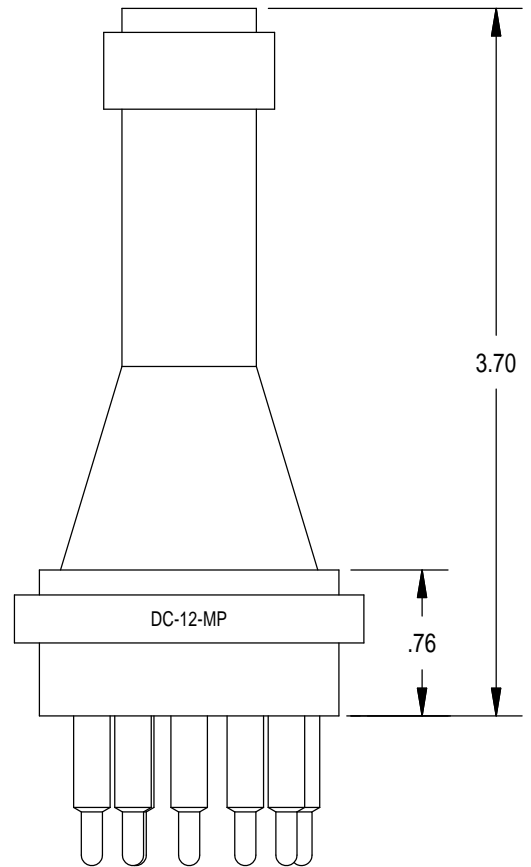
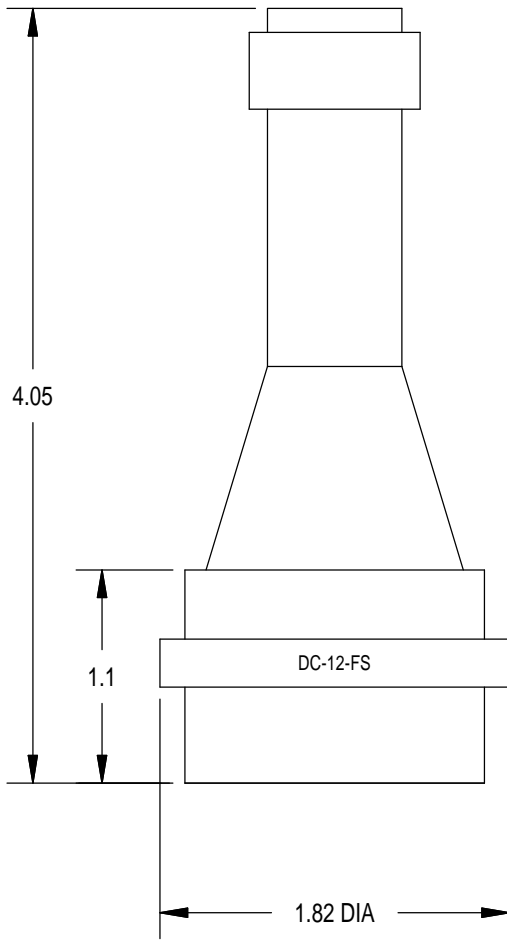
\*SPECIFY NUMBER OF CONTACTS



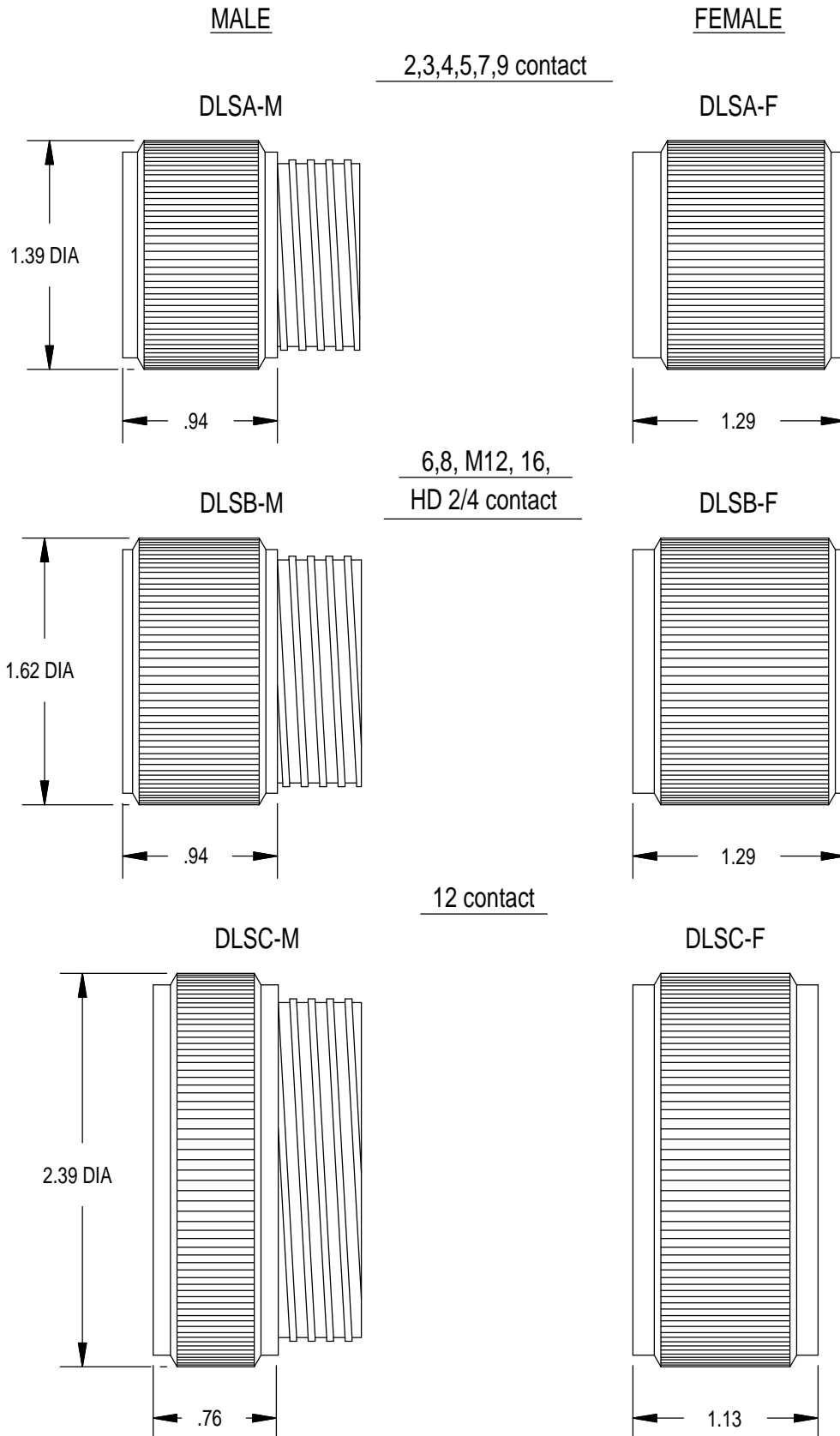


# DC-12

WET  
PLUGGABLE SERIES

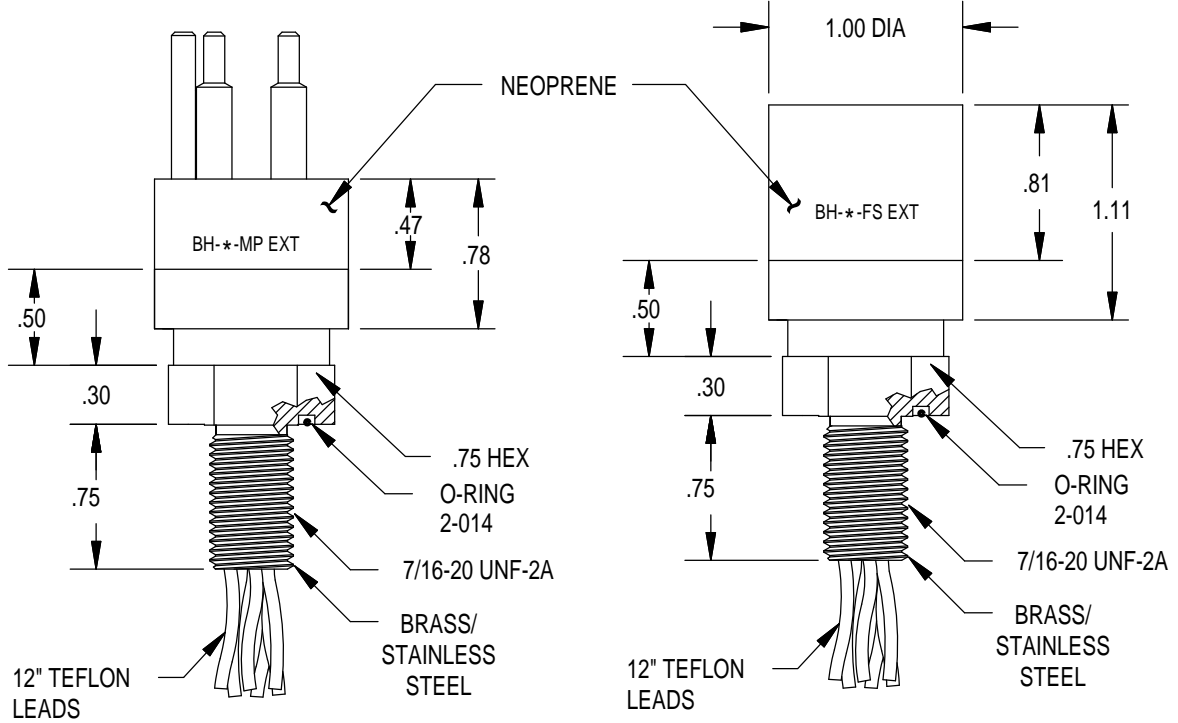
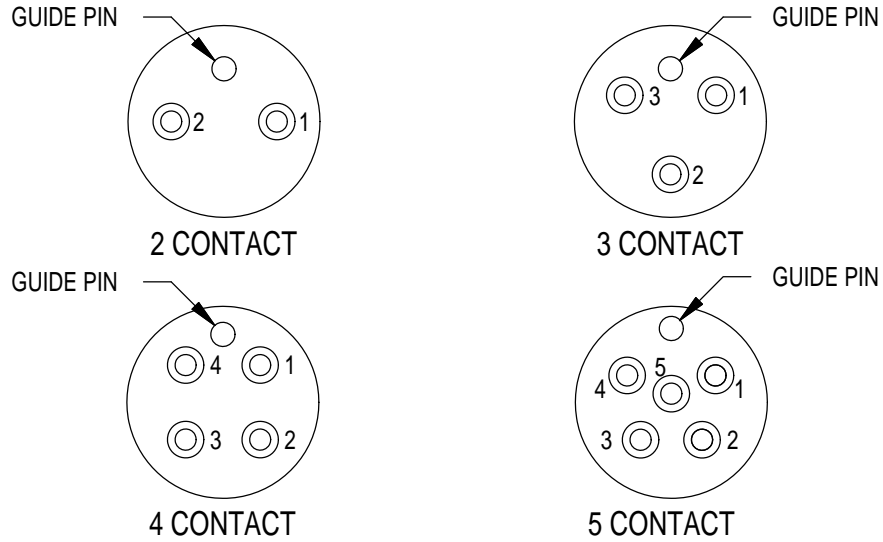


# DELTRIN LOCKING SLEEVES



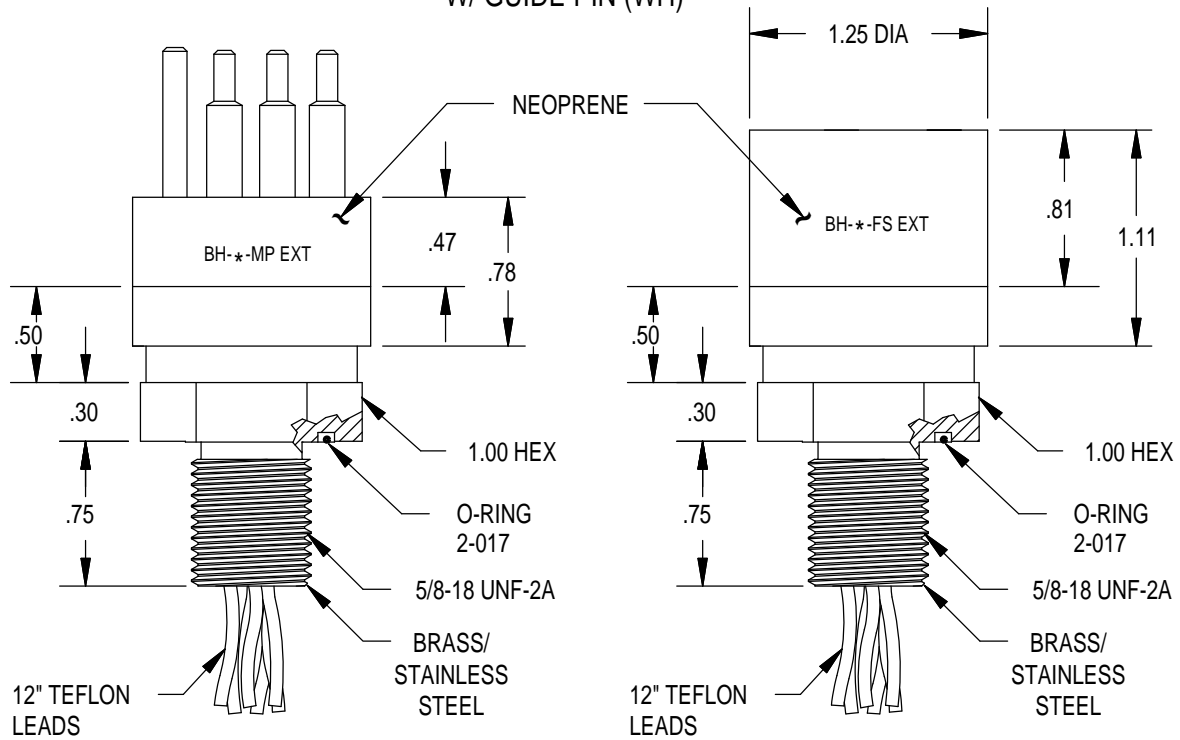
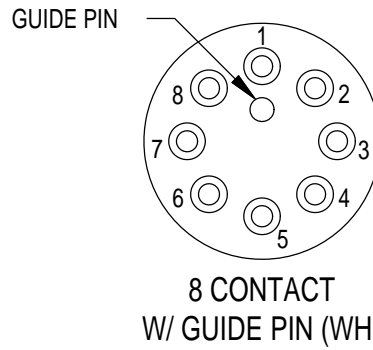
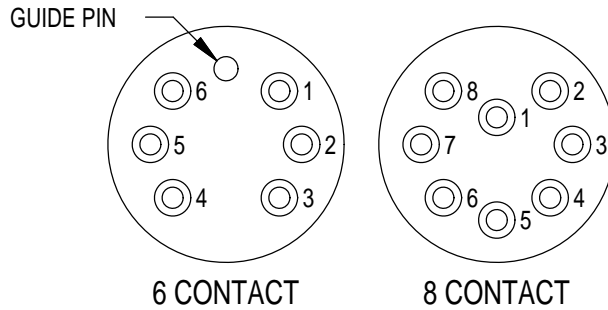
**THIS PAGE INTENTIONALLY LEFT BLANK**

**CONTACT  
CONFIGURATION**  
(MP FACE VIEWS)

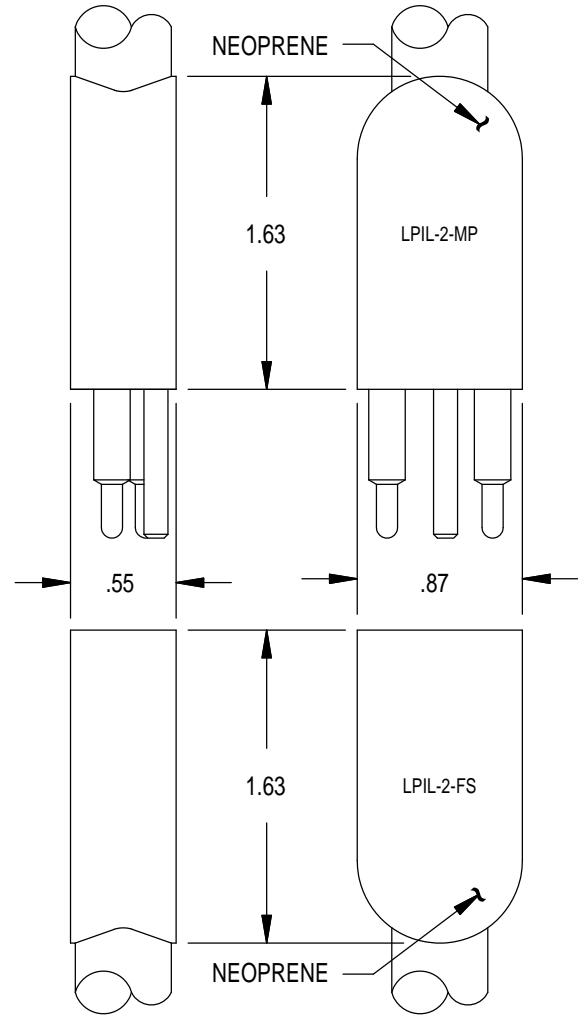
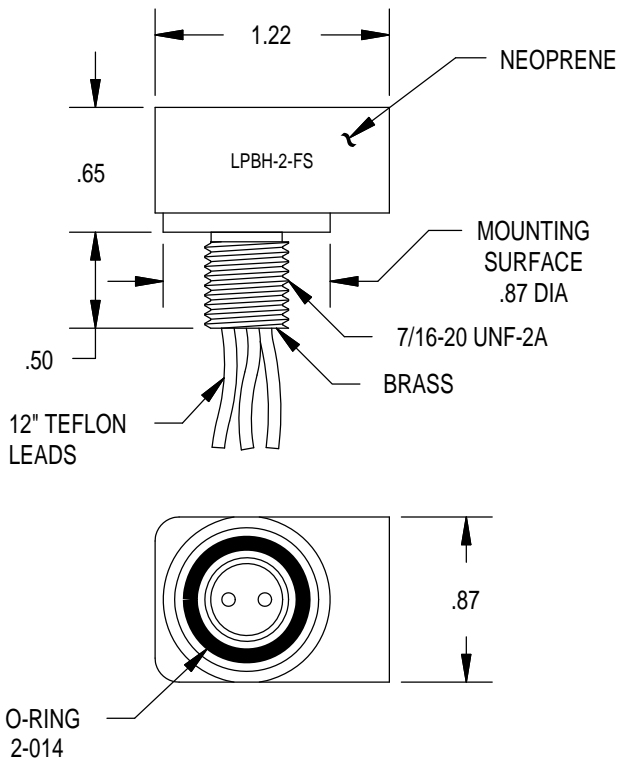
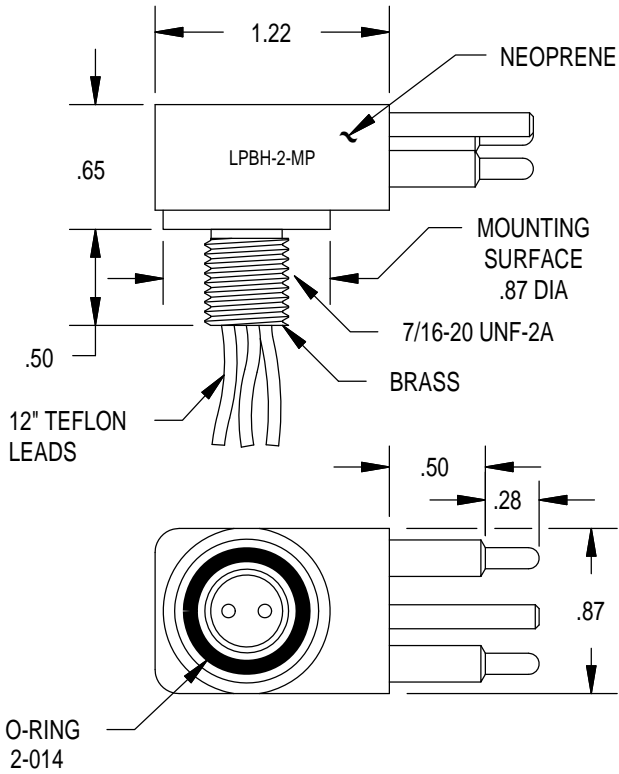


NOTE: For mating connectors see page 65 10  
 For dummy connectors see page 65 32  
 Delrin locking sleeves available (DLSA-M or F) see Page 65 35

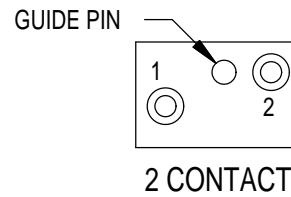
CONTACT  
CONFIGURATION  
(MP FACE VIEWS)



NOTE: For mating connectors see page 65 20  
 For dummy connectors see page 65 32  
 Delrin locking sleeves available (DLSB-M or F) see Page 65 35



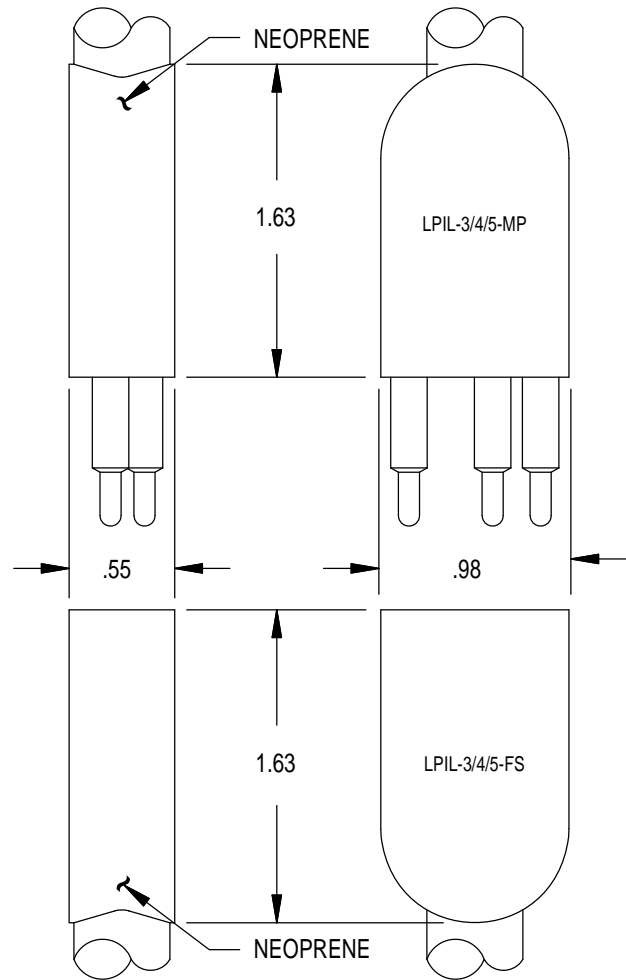
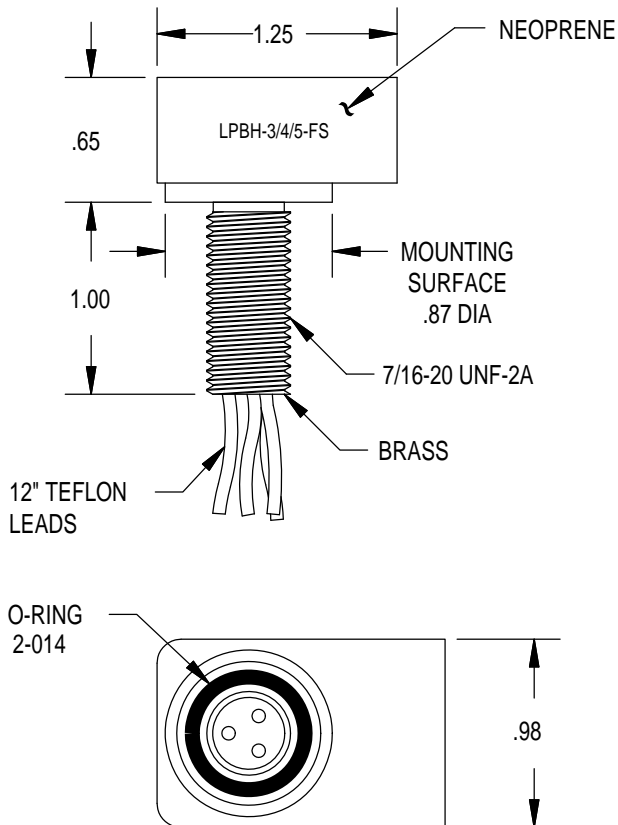
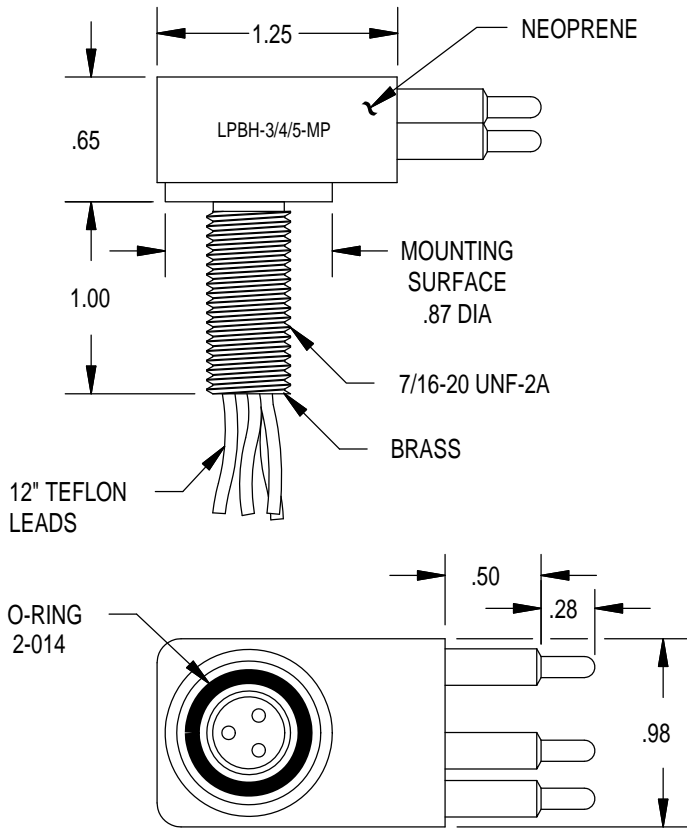
**CONTACT  
CONFIGURATION**  
(MP FACE VIEW)



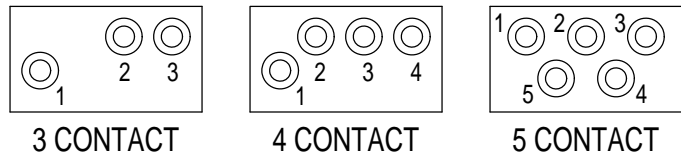
MOUNTING TORQUE FOR LPBH-FS/MP	not to exceed 100 in lbs
MATED PRESSURE RATING (psi)	10,000
DUMMY PLUG FOR LPBH-2-FS, LPIL-2-FS	LPDC-2-MP
DUMMY PLUG FOR LPBH-2-MP, LPIL-2-MP	LPDC-2-FS
NOTE: Bulkhead body available in stainless steel. Standard 1/2" thread length. * Dummy Plugs found on page 65 71.	

# LPBH/LPIL-3/4/5

LOW PROFILE WET  
PLUGGABLE SERIES



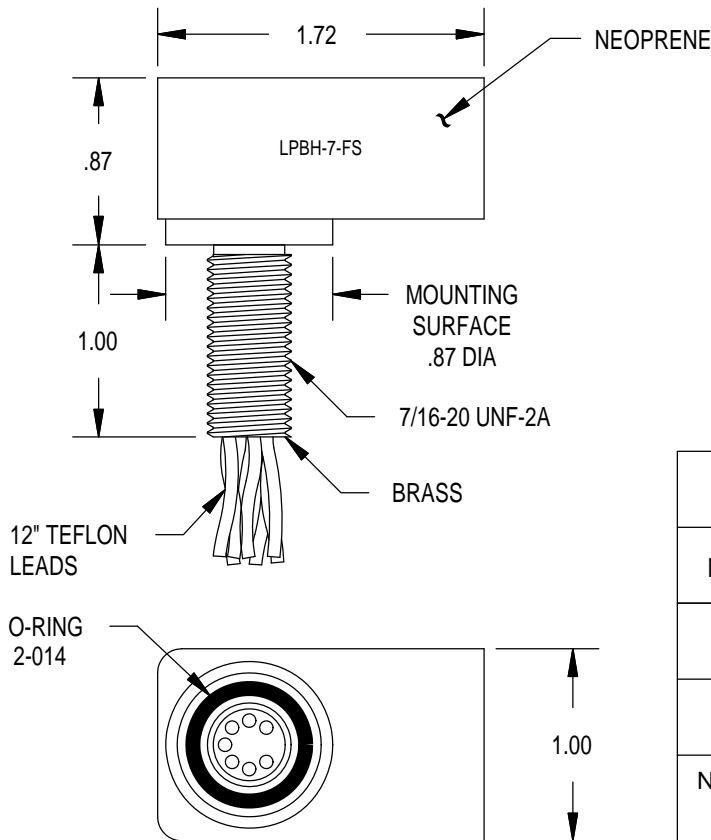
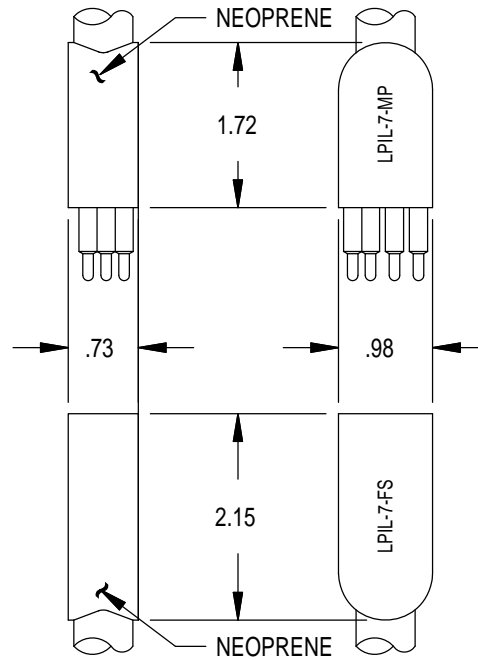
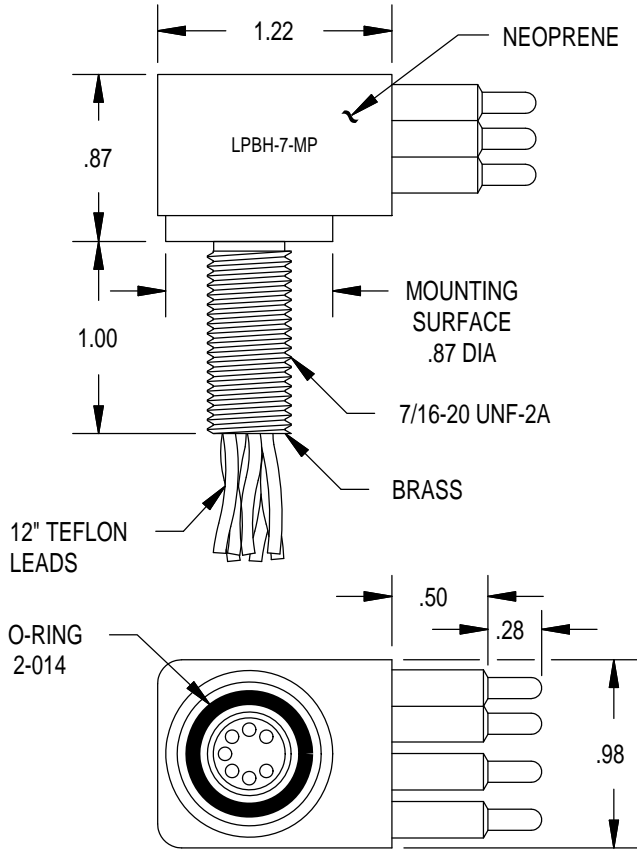
### CONTACT CONFIGURATION (MP FACE VIEWS)



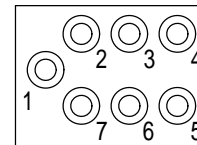
MOUNTING TORQUE FOR LPBH-FS/MP	not to exceed 100 in lbs
MATED PRESSURE RATING (psi)	10,000
DUMMY PLUG FOR LPBH-3/4/5-FS, LPIL-3/4/5-FS	LPDC-3/4/5-MP
DUMMY PLUG FOR LPBH-3/4/5-MP, LPIL-3/4/5-MP	LPDC-3/4/5-FS
NOTE: Bulkhead body available in stainless steel. Standard 1" thread length. * Dummy Plugs found on page 65 71.	

# LPBH/LPIL-7

LOW PROFILE WET  
PLUGGABLE SERIES



### CONTACT CONFIGURATION (MP FACE VIEW)



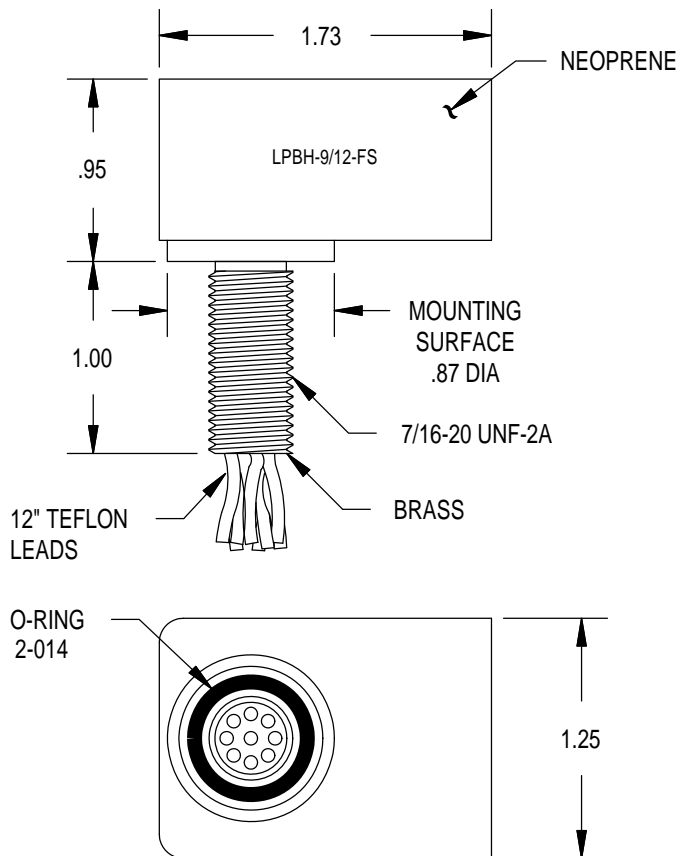
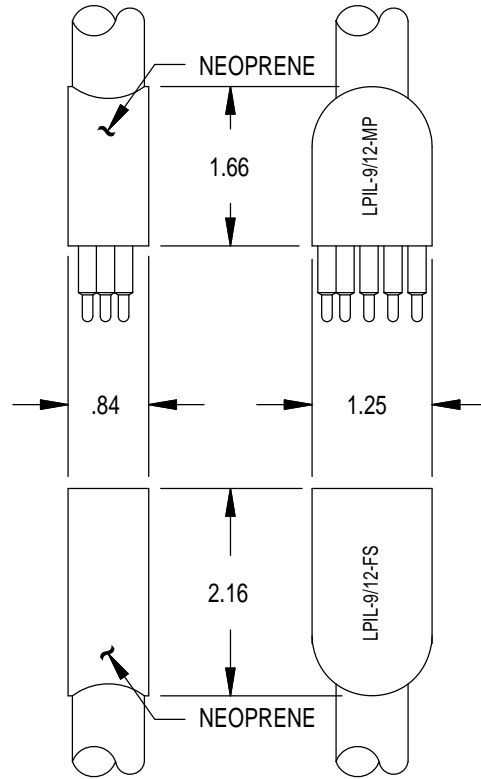
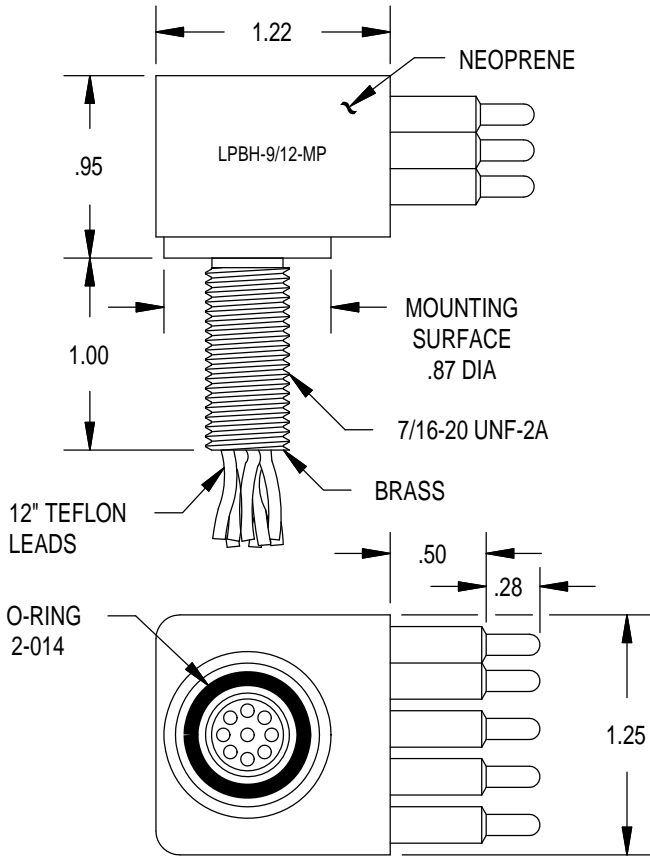
7 CONTACT

MOUNTING TORQUE FOR LPBH-FS/MP	not to exceed 100 in lbs
MATED PRESSURE RATING (psi)	10,000
DUMMY PLUG FOR LPBH-7-FS, LPIL-7-FS	LPDC-7-MP
DUMMY PLUG FOR LPBH-7-MP, LPIL-7-MP	LPDC-7-FS
NOTE: Bulkhead body available in stainless steel. Standard 1" thread length. * Dummy Plugs found on page 65 72.	

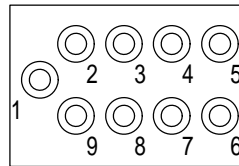


# LPBH/LPIL-9/12

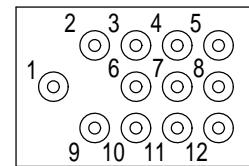
LOW PROFILE WET  
PLUGGABLE SERIES



### CONTACT CONFIGURATION (MP FACE VIEW)



9 CONTACT



12 CONTACT

MOUNTING TORQUE FOR LPBH-FS/MP	not to exceed 100 in lbs
MATED PRESSURE RATING (psi)	10,000
DUMMY PLUG FOR LPBH-9-FS, LPIL-9-FS	LPDC-9-MP
DUMMY PLUG FOR LPBH-9-MP, LPIL-9-MP	LPDC-9-FS
NOTE: Bulkhead body available in stainless steel. Standard 1" thread length. * Dummy Plugs found on page 65 73.	

# LPDC-2/3/4/5

LOW PROFILE WET  
PLUGGABLE SERIES

