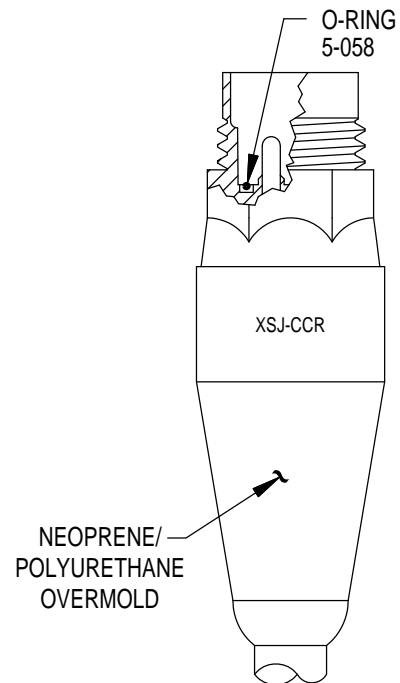
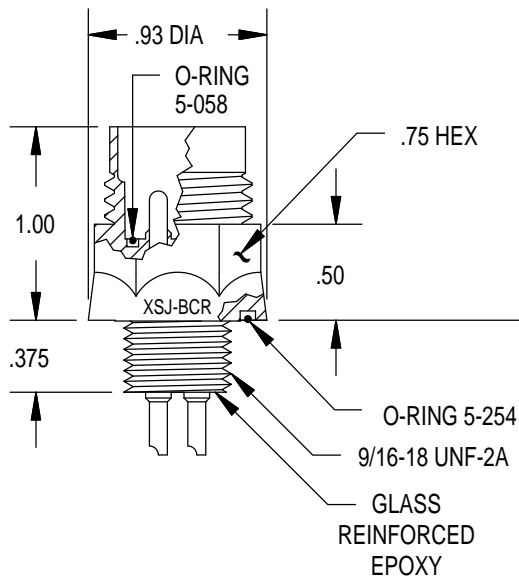
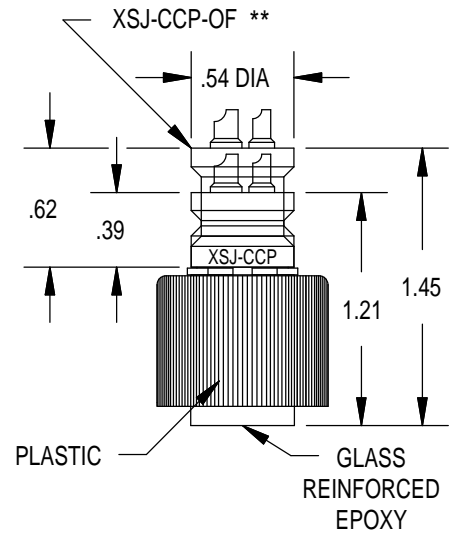
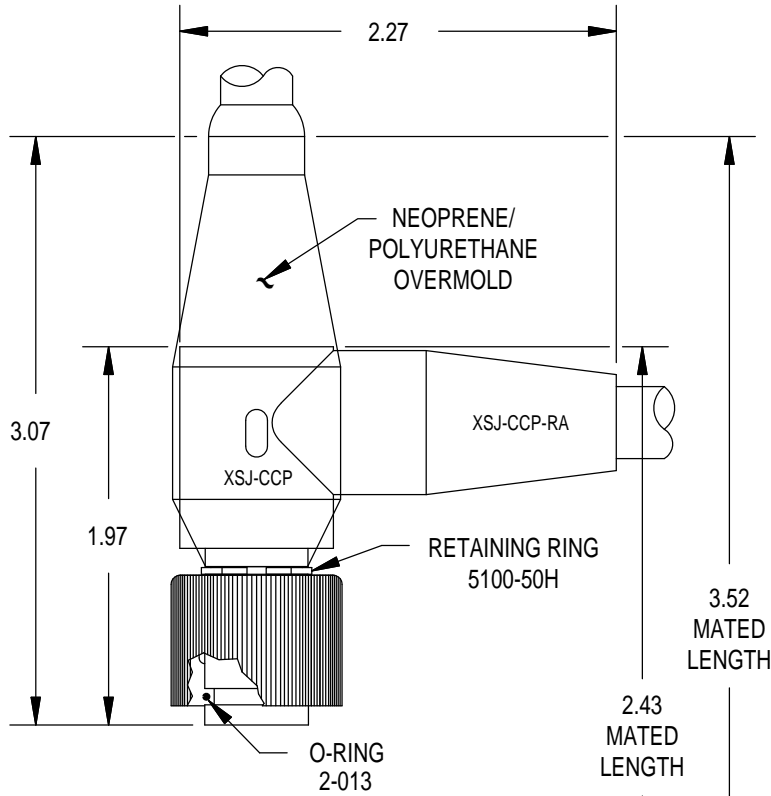
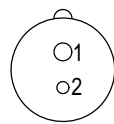


---

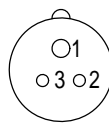
DESCRIPTION AND MATERIAL	<ul style="list-style-type: none"><li>• Molded glass reinforced epoxy.</li><li>• One to 36 contacts.</li><li>• 200 VDC to 600 VDC (higher voltage ratings available upon request).</li><li>• Up to 20,000 PSI in mated condition.</li><li>• Bulkhead connector design open face pressure rated to 5000 psi.</li><li>• Contacts gold plated per MIL-G-45204.</li><li>• XS-CCR/CCP connectors can be overmolded with polyurethane or neoprene.</li><li>• Conductor insulation and jacket material of specified cable determines overmold material.</li></ul>
CABLE	<ul style="list-style-type: none"><li>• Connector's amperage and voltage may be limited by amperage and voltage rating of cable to which connector is molded.</li><li>• This series is not molded to cable unless specified at the time of order.</li></ul>
USES	<ul style="list-style-type: none"><li>• Medium duty applications.</li><li>• Hazardous environment.</li><li>• Power transmission.</li><li>• Signal telemetry.</li><li>• CCR used in a variety of environments where cable to cable connection is necessary.</li></ul>
GUIDELINES	<ul style="list-style-type: none"><li>• All mounting surfaces require a 32 finish.</li><li>• Do not exceed mounting torque specifications.</li><li>• Align indexes.</li><li>• Use in areas not subject to high impact to avoid chipping and cracking.</li><li>• Keep o-ring grooves clean.</li><li>• Avoid o-ring cuts and nicks.</li><li>• Lubricate o-rings with Dow Corning #111 Valve Lubricant or equivalent.</li><li>• Replace o-rings when re-using connectors.</li><li>• Avoid contact with noxious solvents.</li><li>• Elastomers can be seriously degraded if exposed to direct sunlight or high ozone levels for extended periods of time.</li></ul>



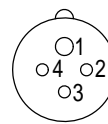
CONTACT  
CONFIGURATION  
(BCR FACE VIEWS)



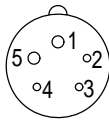
1#14  
1#16  
600 VDC



1#14  
2#16  
600 VDC



1#14  
3#16  
300 VDC



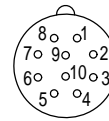
2#16  
3#20  
300 VDC



1#16  
6#20  
300 VDC

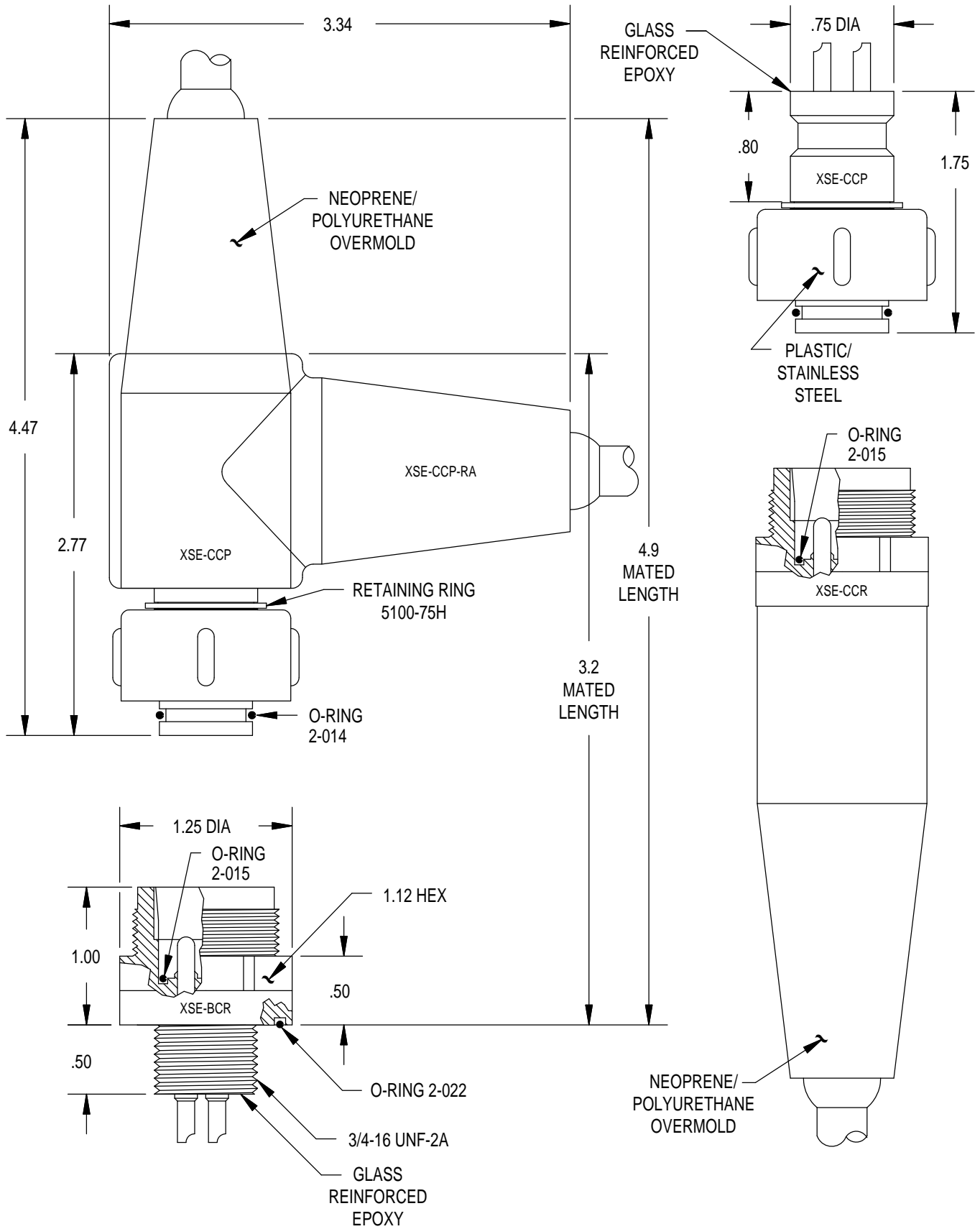


1#14  
8#20  
300 VDC

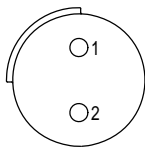


10#20  
300 VDC

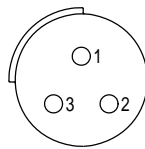
MOUNTING TORQUE FOR XSJ-BCR	not to exceed 20 in lbs	MATED PRESSURE RATING (psi)	10,000
DUMMY PLUG FOR XSJ-BCR/CCR	XSJ*-SCP	DUMMY PLUG FOR XSJ-CCP	XSJ-SCR
<p>NOTE: CCP/CCR are not terminated to cable unless specified.                  * Please specify number of contacts.                  ** Extended backshell for Oil Filled assemblies.</p>			



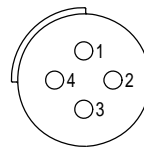
CONTACT  
CONFIGURATION  
(BCR FACE VIEWS)



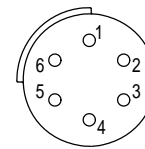
**2#14**  
800 VDC



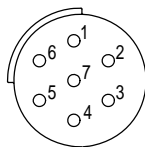
**3#14**  
700 VDC



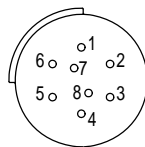
**4#14**  
600 VDC



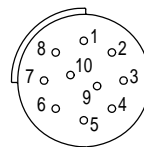
**6#16**  
500 VDC



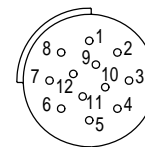
**7#16**  
500 VDC



**8#20**  
400 VDC

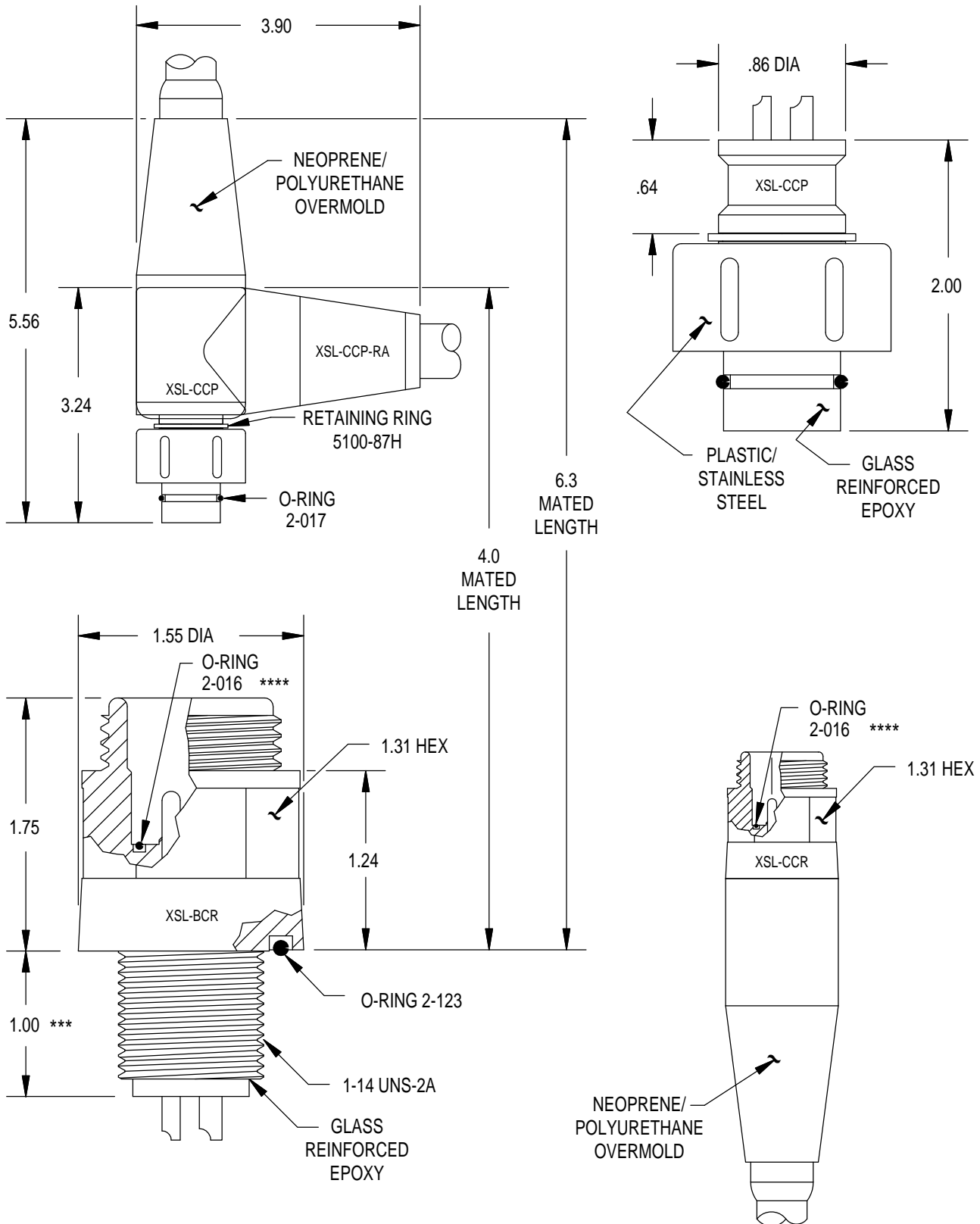


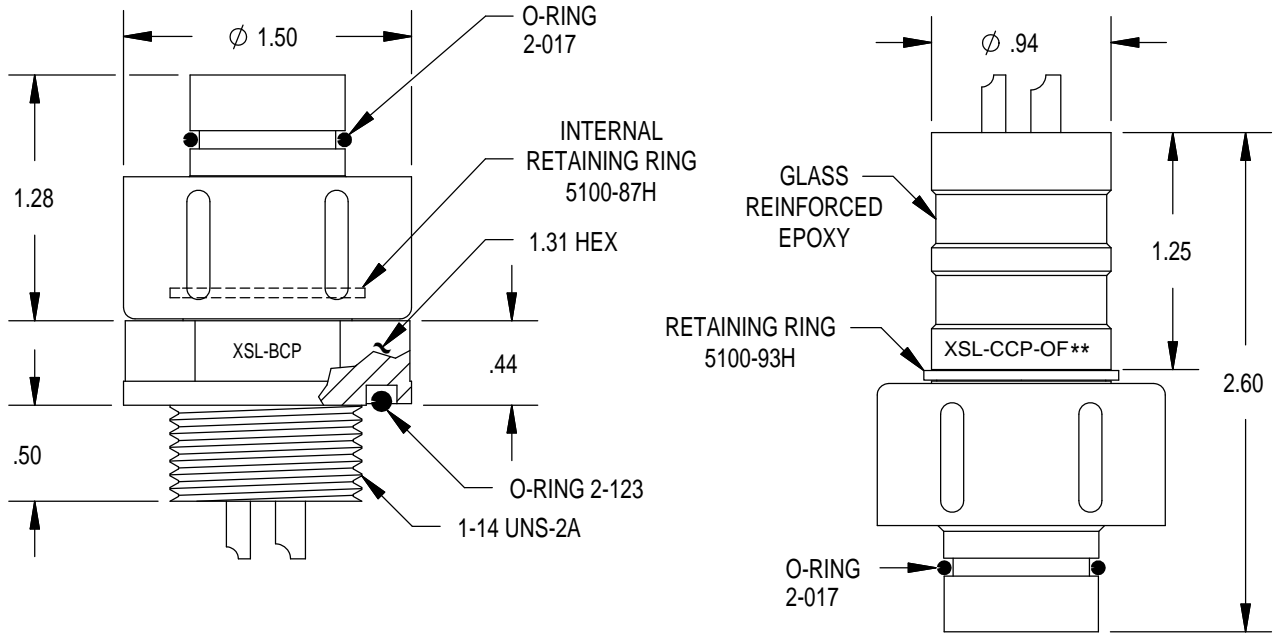
**10#20**  
300 VDC



**12#20**  
250 VDC

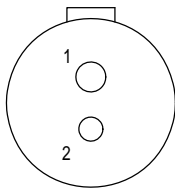
MOUNTING TORQUE FOR XSE-BCR	not to exceed 75 in lbs	MATED PRESSURE RATING (psi)	10,000
DUMMY PLUG FOR XSE-BCR/CCR	XSE*-SCP	DUMMY PLUG FOR XSE-CCP	XSE-SCR
NOTE: CCP/CCR are not terminated to cable unless specified. * Please specify number of contacts.			



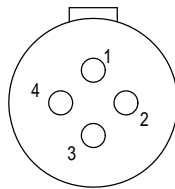


**CONTACT CONFIGURATION**  
(BCR FACE VIEWS)

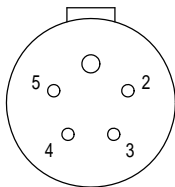
NOTE: Please specify narrow (.125) or wide (.250) key when ordering.



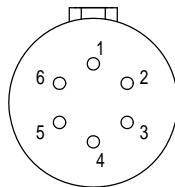
**1#8/1#10**  
**600 VDC**



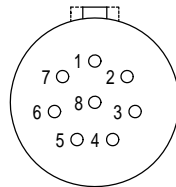
**4#10**  
**600 VDC**



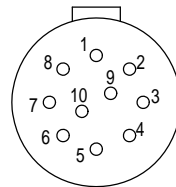
**1#14/4#16**  
**500 VDC**



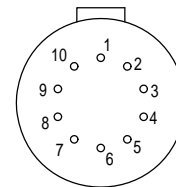
**6#16**  
**500 VDC**



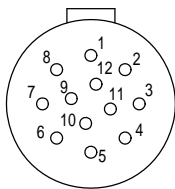
**8#16**  
**500 VDC**



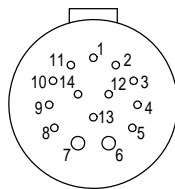
**10#16**  
**400 VDC**



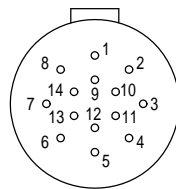
**(PBOF)10#20**  
**200 VDC**



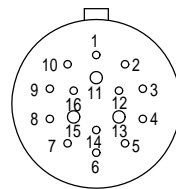
**12#16**  
**200 VDC**



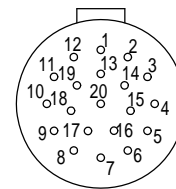
**2#6/12#20**  
**600 VDC**



**14#20**  
**200 VDC**



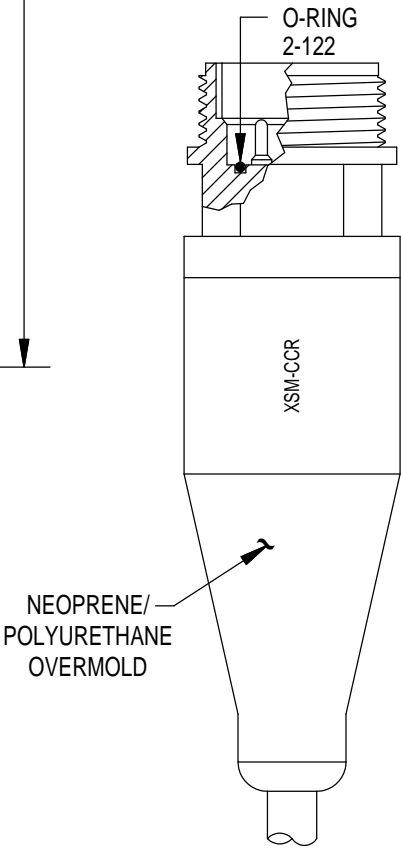
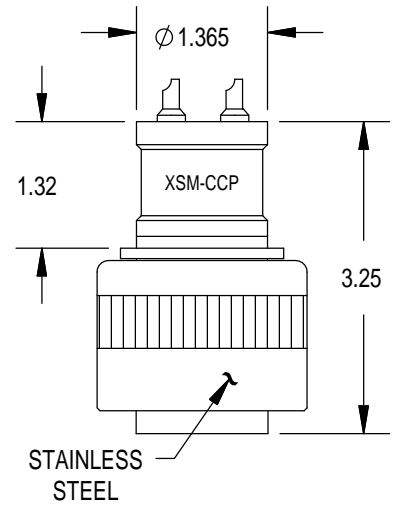
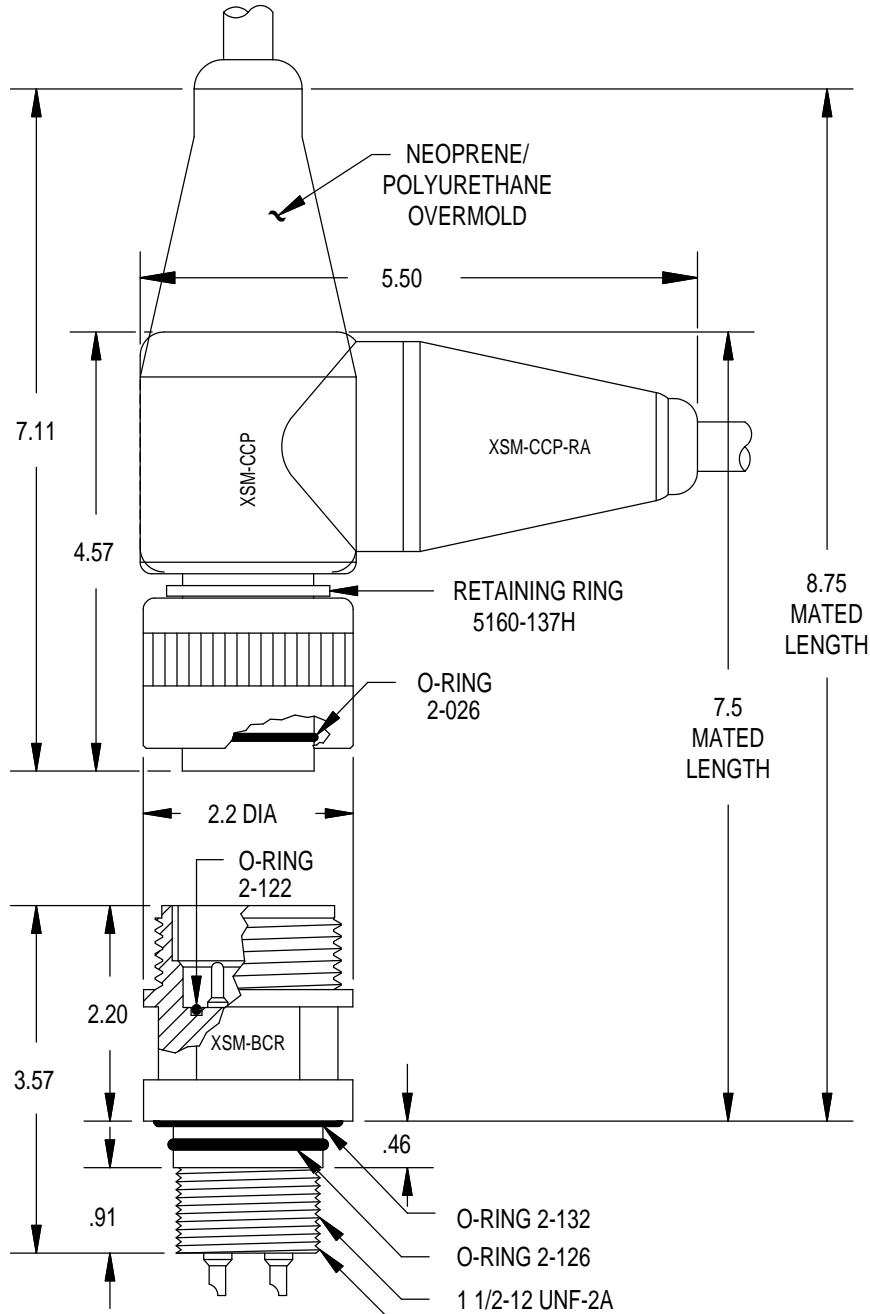
**3#16/13#20**  
**200 VDC**



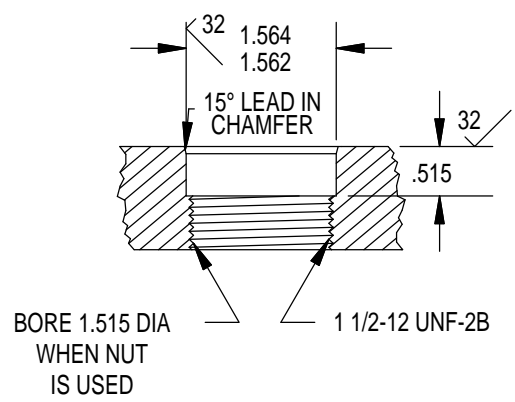
**20#20**  
**200 VDC**

MOUNTING TORQUE FOR XSL-BCR/BCP	not to exceed 130 in lbs	MATED PRESSURE RATING (psi)	20,000
DUMMY PLUG FOR XSL-BCR/CCR	XSL-* -SCP	DUMMY PLUG FOR XSL-CCP/BCP/CCP/CCP-OF	XSL-* -SCR

NOTE: CCP/CCR are not terminated to cable unless specified.  
 \* Please specify number of contacts.  
 \*\* Extended backshell for Oil Filled assemblies.  
 \*\*\* Also available in .50 thread length, 5-12 contacts only.  
 \*\*\*\* XSL-20-BCR, XSL-20-CCR and XSL-20-SCR use o-ring 5-254.

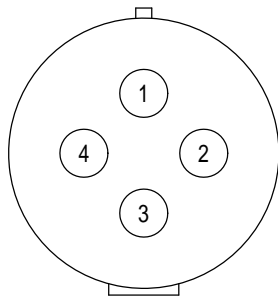


**MOUNTING DETAIL**

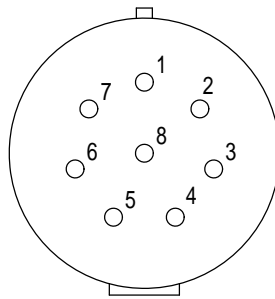




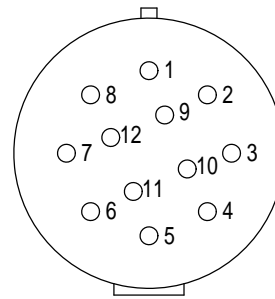
CONTACT  
CONFIGURATION  
(BCR FACE VIEWS)



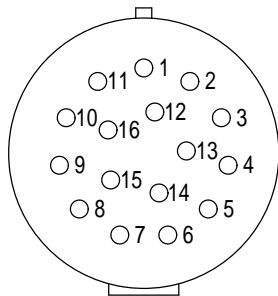
4#6  
600 VDC



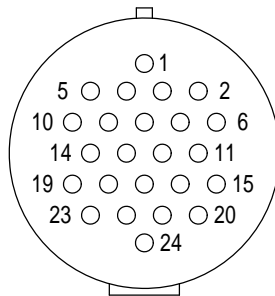
8#14  
600 VDC



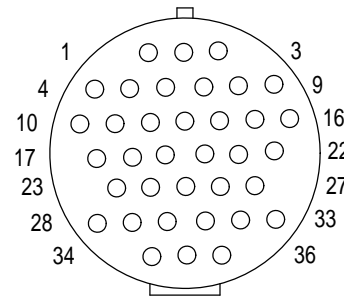
12#14  
600 VDC



16#14  
600 VDC



24#16  
400 VDC



36#16  
400 VDC

MOUNTING TORQUE FOR BCR	not to exceed 200 in lbs	MATED PRESSURE RATING (psi)	10,000
DUMMY CAP FOR BCR/CCR	XSM-*SCP	DUMMY CAP FOR CCP	XSM-SCR
NOTE: CCP/CCR are not terminated to cable unless specified. * Please specify number of contacts.			

**THIS PAGE INTENTIONALLY LEFT BLANK**